

# Electric pallet truck

**Model : MAC20M**



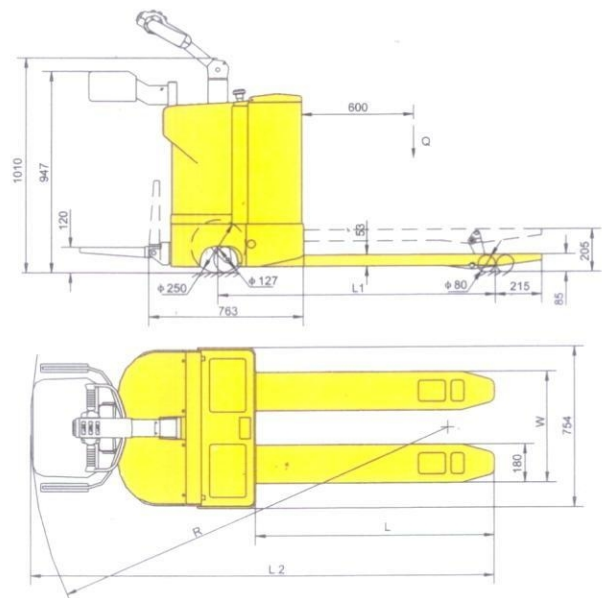
**NEW!**

**MODEL: CBD20H**



**MAC20H with side battery**

MODEL		MAC20M	MAC20H
Capacity	(kg)	2000	2000
Center of gravity	(mm)	600	600
Max. lift height	H1(mm)	205	205
Lowered fork height	(mm)	85	85
Fork length	L(mm)	1100/1150/1220	1100/1150/1220
Width over the forks	W(mm)	520/550/650/685	520/550/650/685
Turning radius	R(mm)	1970/2020/2090	1890/1940/2010
Travel speed with load	(Km/h)	4.5	5.8
Travel speed without load	(Km/h)	6.2	6.2
Net weight (no battery)	(kg)	360-400	360-400
Drive wheel	(mm)	250	250
Fork roller	(mm)	80	80
Battery voltage	(v)	24	24



**DRAWING NO : 1**