

Electric pallet truck

Model : MAC20M



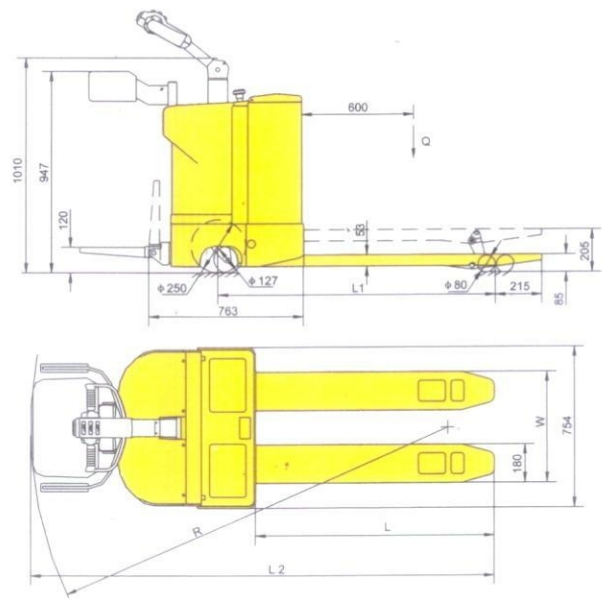
NEW!

MODEL: CBD20H



MAC20H with side battery

MODEL		MAC20M	MAC20H
Capacity	(kg)	2000	2000
Center of gravity	(mm)	600	600
Max. lift height	H1(mm)	205	205
Lowered fork height	(mm)	85	85
Fork length	L(mm)	1100/1150/1220	1100/1150/1220
Width over the forks	W(mm)	520/550/650/685	520/550/650/685
Turning radius	R(mm)	1970/2020/2090	1890/1940/2010
Travel speed with load	(Km/h)	4.5	5.8
Travel speed without load	(Km/h)	6.2	6.2
Net weight (no battery)	(kg)	360-400	360-400
Drive wheel	(mm)	250	250
Fork roller	(mm)	80	80
Battery voltage	(v)	24	24



DRAWING NO : 1