



# mac spares

**HAND PALLET TRUCK**  
**HIGH RELIABILITY**  
**EXCELLENT PERFORMANCE**  
**GREATER PRODUCTIVITY**

MODEL : VL-25

Capacity : 2500 kg



**Most compact and manoeuvrable pallet truck**

**Light weight** : The forks are pressed in a single unit for high strength and low weight. As a result the new VL-25 weighs only 77 kgs.

**Easy manoeuvrability** : Ball & bearings above the lift cylinders and below the hydraulics ensure light steering angle of 180 degrees makes regardless of the load. And the maximum steering angle makes it easy to handle even in cramped spaces.

**Soft lowering**: Stepless lowering, even with heavy loads, ensures safety of material and no damage to the floors.

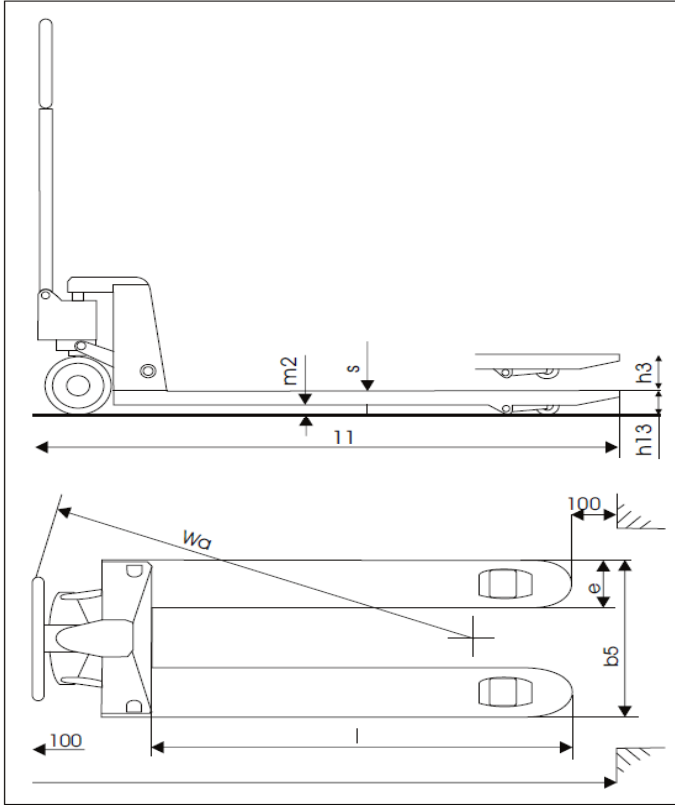
**Unique corrosion protection**: components are powder coated before assembly for the best paint coverage. Powder coating is environment friendly and gives a glossy, hard and scratch resistant surface.



Pivoting steering wheels help maintain constant floor contact for increased stability. reduces wear and tear of wheels.



Bogie wheels are ideal for handling on uneven floors and spread the weight over larger area. smoother handling, less floor wear.



Model	VL25	
Capacity	Q (kg)	2500
Service weight	kg	65-77
Steering wheel	mm	f 180
Fork wheel	mm	f 80
Max. lift height	$h_3$ (mm)	110
Total height	$h_{14}$ (mm)	1233.5
Lowered fork height	$h_{13}$ (mm)	85
Overall length	$l_1$ (mm)	1528.5 / 1598.5
Fork dimensions	$s/e/l$	53/160/1150(1220)
Distance between fork-arms	$b_f$ (mm)	520/685
Ground clearance, centre of wheelbase	$m_2$ (mm)	32
Turning radius	$W_a$ (mm)	1244.5/1314.5