

MAC SPARES

JUMBOLECTRIC

(Three Wheel Industrial Platform Truck)
Capacity 2000 / 3000 kg.



- MOSFET stepless speed controller and heavy duty contactors
- Carrying capacity up to 3000 kg
- Pollution free and user friendly
- Very good tractive force and ramp ability
- Easy and comfortable to ride

With



With



With



With



The macs electric platform truck model Jumbolectric is a three wheel battery operated material handling equipment used for carrying load up to 3000 kg over long distances on asphalt or smooth concrete road. It is ideal for use in inter-plant transportation, factories, warehouses, defence units, railway workshops, airports and large processing plants. macs leads the way with tough, dependable industrial platform trucks.

Operator Area : Comfortable seat with back rest ergonomically positioned over battery cover with easy reach to steering handle and optimum leg-space with suitable foot rest for operating the accelerator and brakes. The control switches on the panel are easily visible and accessible.

Drive and Transmission : The vehicle is driven by a Series / Sepex (optional) motor of suitable rating with class 'F' insulation and powered by suitable traction battery. A two stage self contained completely enclosed transmission gear unit coupled with motor shaft on one side and directly fitted on to the front wheel on the other side, transmits the power efficiently.

Drive Control : Microprocessor based MOSFET controller provides smooth and stepless control of speed and acceleration. The high life cycle contactors used in the controller circuit enhances dependability and productivity. Alternatively four step resistance control can also be provided as an option.

Control Panel : The control panel is provided with conveniently located simple controls such as ON - OFF key switch, forward and reverse switch, emergency power cut-off switch and battery discharge indicators (LED-type). Battery level indicator with hour meter display can also be supplied as an option.

Chassis : The chassis frame consist of robust welded steel frame and chequered steel plate for better hold of the load . The bed height of the platform can be low or high depending on customers application. The platform can also be of fixed type or of elevating type suitable for carrying stillages. In the elevating platform model, the platform elevation is achieved by hand lever operated hydraulic pump and hydraulic cylinder. Motorised platform can also be supplied as an option.

Suspension : The standard model comes with front suspension made of helical coil springs which provides adequate cushion to shocks. The rear platform is supported by leaf spring of adequate resilience and capacity to absorb shocks and vibrations.

Steering : The direct mounted steering handle with low friction bearings ensure comfortable steering within narrow aisle. The steering can be operated in the range of 90° on the either side. The steering handle is wide enough for the operator to steer the vehicle with little effort.

Brakes : Internally expanding foot operated hydraulic brakes on rear wheels ensures smooth braking. Parking brake is actuated by hand operated lever on the left hand side of the operators seat. The truck comes to halt automatically with removal of foot from acceleration pedal. With Sepex motor, the regenerative function of the motor provides additional braking during above operation.

Wheels : Solid rubber moulded tyres are provided on both drive wheel as well as rear axle for operating over a variety of surface conditions. The steel rim bonded rubber provides adequate resilience. Solid cushion / Non-marking tyres can also be supplied as an option on customers request.

Accessories : The truck comes with head / tail / brake lights and horn as standard. The truck can also be provided with revolving / flashing lights, reverse buzzer, side indicators, canopy, battery roller bed, battery changing trolley as an option.

Special Variations : The platform truck can also be provided with elevating / tilting platform, dumper, side flaps, bucket to cater various needs of the industries. For machine shop application, the platform truck can be supplied with Coolant containers for supply and collection of fresh / used coolant for machines. The truck can also be supplied with extended platform length and wider width up to 3000 mm and 2000 mm respectively as an option.

Safety : The parking brake enables vehicle to park on slopes without any kind of movement. The emergency power cut-off switch isolates the battery from the control panel to prevent any situation in emergency. Safety accessories like revolving / flashing lights, reverse buzzer, side indicators, canopy can also be supplied with the truck as an option.

Servicing : The modular, service friendly design with easily removable front / top cover provides easy access to all components for servicing, thus saving valuable time during maintenance.

Battery : The vehicle is supplied with lead acid traction batteries of 30V / 289Ah for 2000 kg model, 36V / 299Ah for 3000 kg model as standard. 36V / 330Ah and 36V / 464Ah batteries can be supplied as an option. The trucks can also be supplied with maintenance free batteries as an option.

Charger : The truck can be supplied with timer controlled semi-automatic charger of suitable rating as a standard. Alternatively electronically controlled automatic charger can also be supplied on request.

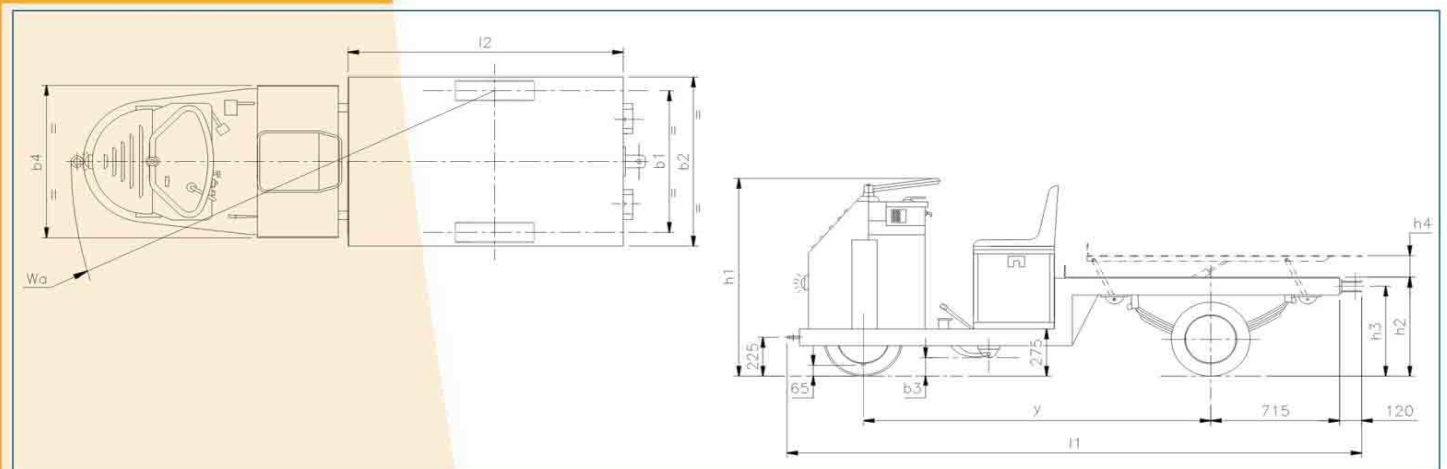
JUMBOLECTRIC (Three Wheel Industrial Platform Truck) (Capacity 2000 / 3000 kg.)

Performance Data

			HIGH PLATFORM		LOW PLATFORM	
Identification	Model	FIXED	MS 20	MS 30	MS 20	MS 30
		ELEVATING	MS 20	MS 30	MS 20	MS 30
	Type of operation		Seated	Seated	Seated	Seated
	Load capacity	Kg	2000	3000	2000	3000
	Wheelbase	y = mm	1930	1930	1930	1930
Weight	Service weight incl. battery (approx.) Fixed / Elevating	Kg	950 / 1050	1125 / 1225	900 / 1000	1075 / 1175
	Battery weight (approx.)	Kg	350	450	350	450
Chassis	Tyres		Solid Rubbber	Solid Rubbber	Solid Rubbber	Solid Rubbber
	Tyre size, front	mm	Ø438 x 127	Ø438 x 127	Ø438 x 127	Ø438 x 127
	Tyre size, rear	mm	Ø438 x 127	Ø438 x 127	Ø305 x 127	Ø305 x 152
	Wheels, number Front / Rear (x = driven wheels)		1 x 2	1 x 2	1 x 2	1 x 2
	Track width, rear	b1 = mm	850	850	850	850
Basic Dimension	Overall height	h1 = mm	1170	1170	1170	1170
	Overall length	l1 = mm	3200	3200	3200	3200
	Battery compartment width	b4 = mm	865	945	865	945
	Overall width	b2 = mm	1000	1000	1000	1000
	Ground clearance	b3 = mm	110	110	110	110
	Turning radius	Wa = mm	2350	2350	2350	2350
	Platform size	l2 x b2 = mm	1525 x 1000	1525 x 1000	1525 x 1000	1525 x 1000
	Elevation height	h4 = mm	130	130	130	130
	Platform / Towing height	h2 / h3 = mm	480 / 425	480 / 425	330 / 275	330 / 275
	Platform / Towing height with rear suspension	h2 / h3 = mm	585 / 530	585 / 530	-	-
Performance	Travel speed : Laden	Km / hr	6 – 7	6 – 7	6 – 7	6 – 7
	Unladen	Km / hr	9 – 10	9 – 10	9 – 10	9 – 10
	Gradient performance : Laden	Max. %	7	7	7	7
	Unladen	Max. %	10	13	10	13
	Service brake		Hydraulic	Hydraulic	Hydraulic	Hydraulic
	Parking brake		Hand operated	Hand operated	Hand operated	Hand operated
Power	Drive motor rating S2 60 min.	Kw	1.7	3.6	1.7	3.6
	Drive type		©Series	©Series	©Series	©Series
	Battery voltage, nominal capacity	V / Ah	30 / 289	36 / 299	30 / 289	36 / 299
	Charger (Single phase)	Semi - automatic	30V / 40Ah	36V / 42Ah	30V / 40Ah	36V / 42Ah
Others	Type of drive controller		Stepless Mosfet	Stepless Mosfet	Stepless Mosfet	Stepless Mosfet
	Sound level at driver's ear	db(A)	70	70	70	70

© = Resistance controller available with series drive motor on request.

© = Sepex motor can also be supplied on request.



MAC SPARES

9, Manmatho Nath Ganguly Road,
Kolkata - 700 002.

Tel. : 033-2533-0624 / 2555-2298, Fax : 033-2533-4227

E-mail : macspares@vsnl.net, macspares1@gmail.com

Website : www.macsparesindia.com